

## Features

- **Multicast VoIP Technology**
- **Serverless Architecture**
- **Full Duplex Communication**
- **Five Party Lines**
- **Five Paging Zones**
- **Efficient 30 Watt Class D Amplifier**
- **Ambient Level Sensing (ALS)**
- **Remote Terminal Unit (RTU) Operation for Input/Output Applications**
- **Remote Monitoring**

## Options

- **AC (120/230v) or DC (24v) Operation**
- **Hazardous Area Approvals**
- **PVC or Hytrel® Handset Cords**



SP2 is GAI-Tronics' most advanced paging and intercom system yet. Combining the simplicity of "press to page, release to party" operation with cutting-edge multicast Voice over Internet Protocol (VoIP) technology, SP2 is capable of providing virtually instant communication in the most demanding of environments.

SP2 is a serverless system. While other systems rely on servers to route calls and administrate the system, SP2 uses multicast technology, bypassing the need for servers and resulting in a number of benefits.

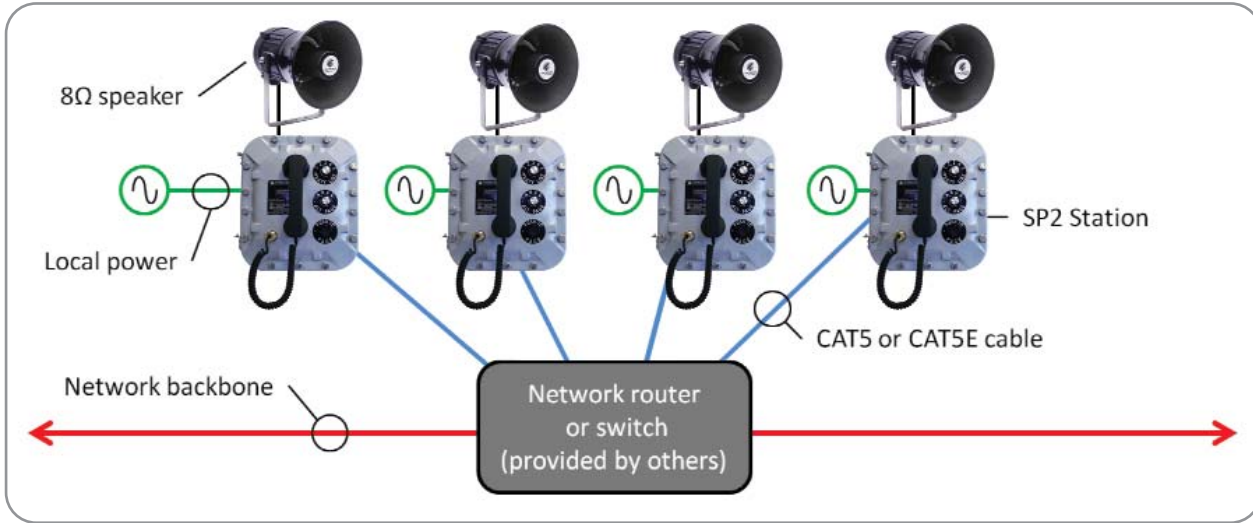
SP2 is fast. Since no server is needed to set up call routing and conference bridges, SP2 can provide immediate one way paging and full-duplex "party line" communication.

SP2 is simple. No keypad, no extensions to memorize. Simply lift the handset, select a paging zone, squeeze the handset pressbar and make an announcement over the system speakers. Release the pressbar and talk on one of the five available party lines.

SP2 is reliable. There are no servers to fail or need updates. SP2 will also notify you of any problems via e-mail.

SP2 is flexible. Every SP2 station is capable of being configured with unique characteristics, including priority, zone destinations, volume levels and so on. Indoor, weatherproof and hazardous area stations with worldwide approvals are available, ensuring that SP2 can be used everywhere it's needed.

Typical Block Diagram



### Hazardous Area SP2 Part Numbers

	Outdoor Wall-Mount	5-Party Lines	Station Type	Connection/Control	Handset	Approval	Gray Epoxy Finish	Options	Entries
	9	2	5	X	X	X	5	X	X
		AC Handset/Speaker DC Handset/Speaker	1 5	Ethernet with RTU Ethernet with ALT Page and RTU	2 3 4	6' PVC 15' PVC 25' PVC 6' Hytrel® 15' Hytrel® 25' Hytrel®	1 2 3 4 5 6	UL CI D1 ATEX Zone 1 IEC Zone 1	C E G
								No Options Trop TR	0 A
									UL 2x1.5NPT 2x0.75NPT ATEX/IEC 2xM40 2xM20
									1 2

**Example:** An outdoor wallmount, AC-powered SP2 station with a 6' PVC handset cord, UL Class I, Div. 1 approvals, gray paint with no options selected and NPT entries is part number **925-141C501**.

### Specifications

#### Electrical

##### AC Stations

Supply Voltage ..... 120/230 V ac  
Input frequency range ..... 50/60 Hz

##### DC Stations

Supply Voltage ..... 24 V dc

#### Handset

Microphone ..... Dynamic, noise-cancelling  
Microphone Noise Discrimination ..... 18dB @ 250Hz  
Receiver ..... Dynamic, hearing aid compatible  
Material ..... ABS  
External Control ..... Push-to-page handset pressbar

#### Speaker Amplifier

Max Output ..... 30W into 8Ω load

#### Mechanical

Construction ..... Cast Aluminum  
Finish ..... Gray Epoxy  
Dimensions (overall) ..... 14.3 H x 13.06 W x 11.68 D inches  
(363.3 x 331.8 x 296.6 mm)  
Temperature range ..... -4°F to +140°F (-20°C to +60°C)  
Relative Humidity ..... 95%, non-condensing

#### Approvals

NRTL Listed (USA and Canada) Hazardous locations:  
Class I, Division 1, Groups B, C, D  
ATEX/IECEx Certified ..... II 2 G Ex d [ib] IIB + H2 T6