

Features

- **Multicast VoIP Technology**
- **Serverless Architecture**
- **Full Duplex Communication**
- **Five Party Lines**
- **Efficient 30 Watt Class D Amplifier**
- **Ambient Level Sensing (ALS)**
- **Remote Terminal Unit (RTU) Operation for Input/Output Applications**
- **Remote Monitoring**

Options

- **AC (120/230v) or DC (24v) Operation**
- **PVC or Hytrel® Handset Cords**



SP2 is GAI-Tronics' most advanced paging and intercom system yet. Combining the simplicity of "press to page, release to party" operation with cutting-edge multicast Voice over Internet Protocol (VoIP) technology, SP2 is capable of providing virtually instant communication in the most demanding of environments.

SP2 is a serverless system. While other systems rely on servers to route calls and administrate the system, SP2 uses multicast technology, bypassing the need for servers and resulting in a number of benefits.

SP2 is fast. Since no server is needed to set up call routing and conference bridges, SP2 can provide immediate one way paging and full-duplex "party line" communication.

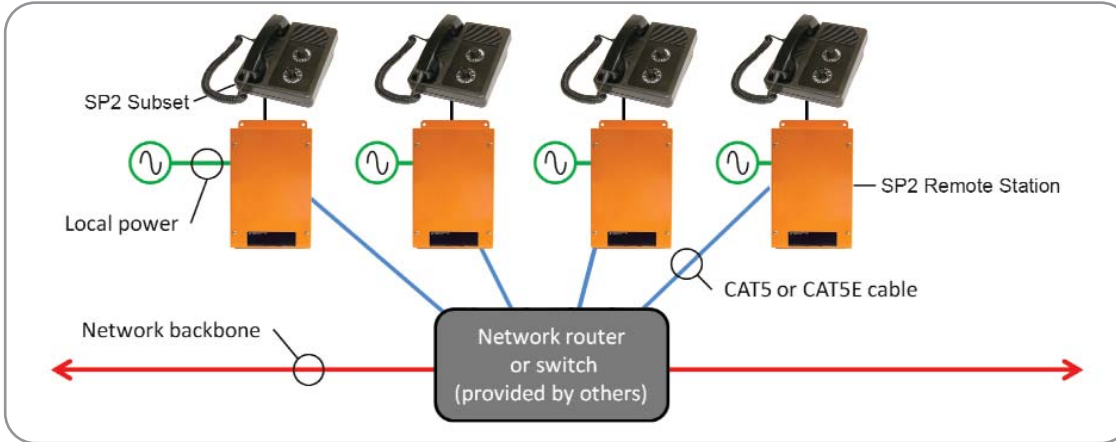
SP2 is simple. No keypad, no extensions to memorize. Simply lift the handset, squeeze the handset pressbar and make an announcement over the system speakers. Release the pressbar and talk on one of the five available party lines.

SP2 is reliable. There are no servers to fail or need updates. SP2 will also notify you of any problems via e-mail.

SP2 is flexible. Every SP2 station is capable of being configured with unique characteristics, including priority, zone destinations, volume levels and so on. Indoor, weatherproof, remote and hazardous area stations with worldwide approvals are available, ensuring that SP2 can be used everywhere it's needed.

SP2 Remote stations are comprised of two parts; a remote amplifier and a subset connected together with a cable with standard DB25 connectors. Various available subset types provide greater installation options.

Typical Block Diagram



Desktop, Desk-edge and Flush-mount Subset SP2 Part Numbers

9	Mounting	5-Party Lines	Subset	Subset	Handset	Approval	Finish	Options	0
	X	5	0	0	X	X	X	X	
	Desktop Subset Flush-mount Subset DC Handset/Speaker/Aux	4 5 6	6' PVC 1 15' PVC 2 25' PVC 3	6' Hytrel® 4 15' Hytrel® 5 25' Hytrel® 6 6' (Desktop Only) 8		UL Safe Area A CE B	Orange 1 Gray 2 Black (Desktop Only) 3	No Options 0 Trop TR A	

Remote Amplifier SP2 Part Number

9	Indoor Wallmount	Remote	Station Type	Ethernet with RTU	Remote	Approval	Finish	Options	0
	1	0	X	2	X	X	X	X	
			AC Remote Handset/Speaker 4 DC Remote Handset/Speaker 8			UL Safe Area A CE B	Orange 1 Gray 2	No Options 0 Trop TR A	

Specifications

Electrical

AC Stations

Supply Voltage 120/230 V ac
Input frequency range 50/60 Hz

DC Stations

Supply Voltage 24 V dc

Handset

Microphone Dynamic, noise-cancelling
Receiver Dynamic, hearing aid compatible
Material ABS
External Control Push-to-page handset pressbar

Speaker Amplifier

Max Output 30W into 8Ω load

Mechanical (Remote Amplifier)

Construction 16 gauge cold-rolled steel
Finish Safety orange powder coating
Dimensions (overall) 12.5 H x 5.25 W x 7.34 D inches
(317.5 x 133.4 x 188.4 mm)
Temperature range -22°F to +158°F (-30°C to +70°C)
Relative Humidity 95%, non-condensing

Approvals

Electrical Safety IEC 60950, UL 60950,
CAN/CSA-C22.2 No 60950