

Gear Coupling Type KBT

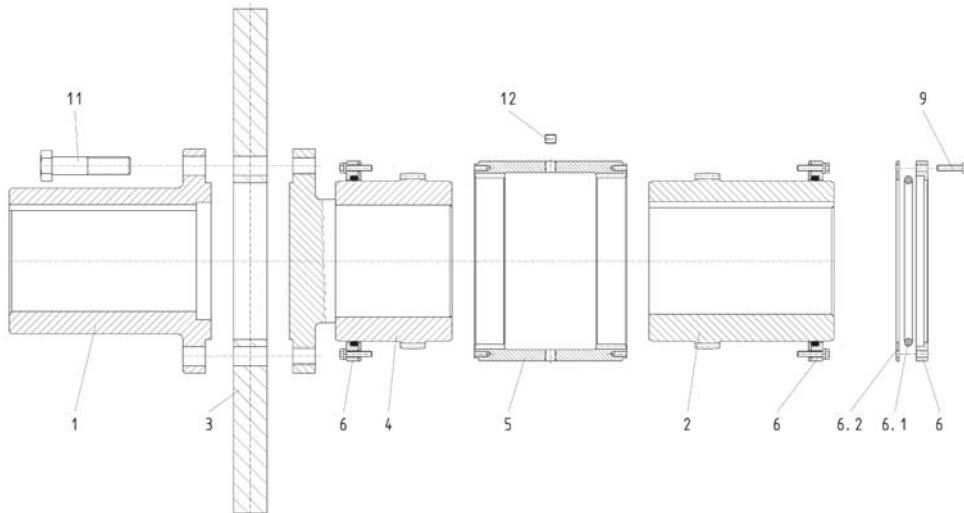
Design and permissible misalignments



Rev. 09-02

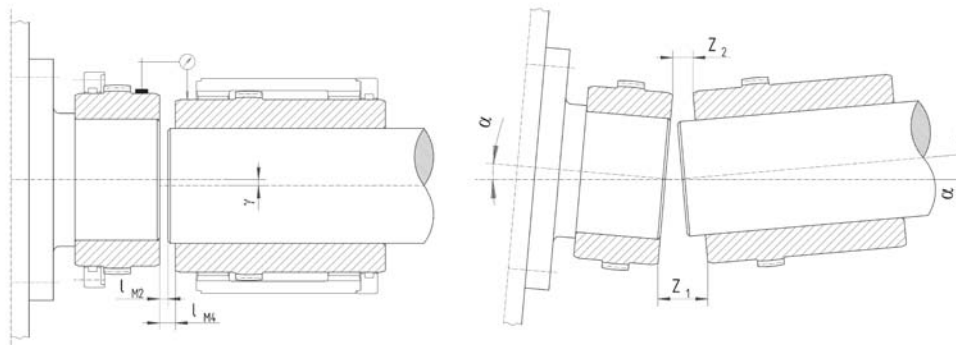
Design

(except KBT065)



1	Hub, gear side
2	Hub, motor side
3	Brake disc
4	Flange with geared hub
5	Internal geared sleeve
6	End-cap with O-ring (6.1) and gasket (6.2)
9	End-cap screws
11	Fastening bolts
12	Lube plugs

Max. permissible misalignment



Measure Z_1 and Z_2 vertical and horizontal at a 180° turn. Angular and radial misalignment may be present simultaneously. In this case, the sum of the individual misalignments may not exceed the value of the net angular misalignment. Please refer to manual for alignment details.