

# ANTENNA COUPLER RX SERIES

Solexy's patented (7,057,577) Explosion-Proof Antenna Coupler permits the installation of a passive antenna in hazardous areas.

This coupler is designed to be used directly with listed explosion proof housings or conduit fittings.

An integrated blocking circuit prevents potentially hazardous energy from reaching the antenna in case of radio, modem, or access point failure. It also allows for antenna removal in hazardous areas. The coupler's robust design allows for connection to practically any radio and antenna. It is a highly flexible and cost effective solution to hazardous area radio system deployment. The coupler can also be used as a cable bulkhead.




## FEATURES

<b>Short Circuit Protection</b>	Includes integrated blocking circuitry.
<b>No Sealing Fitting Required</b>	Fitting is approved for hazardous locations and can be installed with a simple wrench.
<b>Environmental Protection</b>	300 series stainless steel construction and integral potting protects electronics from corrosive environments.
<b>Flexibility</b>	Permits a wide variety of passive antennas to be installed in hazardous areas. Antennas may be removed and/or installed with power on. Perfect for a cable bulkhead connection
<b>Certification</b>	The RX Series is certified Atex and IECEx as an apparatus, and can be installed per the conditions of acceptability, without further assessment.



## SPECIFICATIONS

ATEX Apparatus Certification	 I M2 (M1) Ex db mb [ia Ma] I Mb II 2 (1) G Ex db mb [ia Ga] IIA/IIB/IIC T5/T6 Gb II 2 (1) D Ex tb mb [ia Da] IIIC T100°C/T80°C Db
UL Component Certification	Class I, II Div I Group A,B,C,D,F,G (UL File nr. E358609)
Maximum Fault Voltage	250VDC, 250VAC 50-60HZ
Maximum Antenna Power Output (EIRP)	IEC Gas Group
	I and III    IIA    IIB    IIC
	Max Threshold Power Limit    6W    6W    3.5W    2W

For more details about RF power input and output (EIRP) allowed please consult installation and operation manual

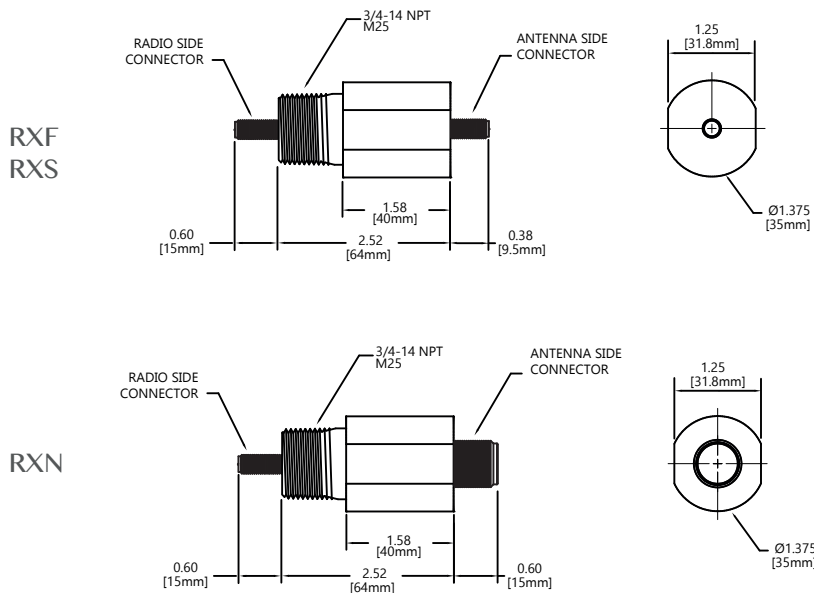
Approximate Insertion Loss <sub>dB</sub>	Frequency	100 <sub>MHZ</sub>	500 <sub>MHZ</sub>	1.4 <sub>GHZ</sub>	1.7 <sub>GHZ</sub>	2.5 <sub>GHZ</sub>	3.9 <sub>GHZ</sub>	4.9 <sub>GHZ</sub>	5.4 <sub>GHZ</sub>	6.0 <sub>GHZ</sub>
	J version	1.0	0.4	0.4	0.5	0.8	-	-	-	-
	R version	-	1.3	0.6	0.6	0.6	1.2	1.2	0.8	2.0

Approximate Weight	0.32 kg
Minimum Dielectric Strength	1500V
Impedance	50 Ω
Housign Material	300 series stainless steel
Ambient Temperature Range	-40°C +85°C

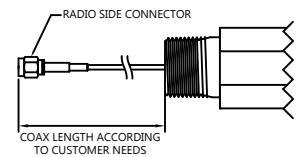


# ANTENNA COUPLER RX SERIES

## DIMENSIONAL DRAWINGS



RX Series with  
coax cable embedded  
(optional execution on request)



## NOMENCLATURE

RX N 3 S 02 00 J X0  
a b c dd ee f gg

### a Antenna Side Connector

F RP-SMA Female  
N N Female  
S SMA Female

### b Thread Connection

3 3/4" NPT  
M M25x1.5 (IECEx and ATEX only)

### c Housing Material

S AISI 303  
L AISI 316L

### dd Radio Side Connector

02 RP-SMA Female (RXF and RXN only)  
04 SMA Female (RXS only)

### ee Coax cable length radio side (optional on request)

00 no cable (with connector on body)

### f Version (frequency range)

J optimized from 100 MHz to 1.4 GHz  
R optimized from 500 MHz to 3.9 GHz  
and from 4.6 GHz to 6 GHz  
L optimized from 3.9 GHz to 4.6 GHz

### gg Approval

N0 cURus Recognized Component Marking  
X0 IECEx and ATEX Apparatus Marking  
XN IECEx and ATEX Apparatus Marking and  
cURus Recognized Component Marking  
(dual marking)

WWW.SOLEXY.NET

## SOLEXY SRL

Via Enrico Fermi, 2  
25015 Desenzano del Garda (BS) Italy  
Phone (+39) 030 787.0.787 | [info@solexy.net](mailto:info@solexy.net)  
[www.solexy.net](http://www.solexy.net)

## SOLEXY USA, LLC

10178 International Blvd.  
Cincinnati (OH) 45246 USA  
Phone (+1) 513.860.5465 | [usa@solexy.net](mailto:usa@solexy.net)

