

For tools from 1.1 to 308 pounds

Heavy-duty construction. Tapered drum compensates for changing spring rate. Direct spring powered, no motors or expensive gear trains to break or wear out.

Series "EH" Tapered Drum tool balancers keep tools within reach and reduce damage to tools by suspending them out of the way above the work surface. Risk of repetitive motion injury is reduced because only a light, downward force is required to place the tool in proper operating position. As the tool is lowered, and the spring is wound more tightly, the effective drum diameter increases to compensate for the increased force. Thus, when properly adjusted, the tapered drum keeps the tool at the positioned height.

Features include:

- Rugged die cast aluminum housing
- Both top and bottom hooks have spring-loaded safety latches
- Heavy duty steel wire rope
- Automatic safety catch prevents free-spooling if springs fail (not available on EH-02/EH-05)
- Easy adjustment with everyday tools from outside housing



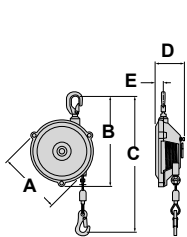
Models "EH-02" through "EH-05"



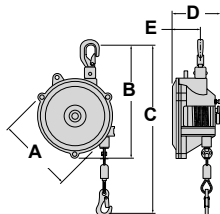
Models "EH-09" through "EH-70"



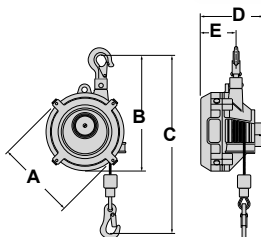
Models "EH-85" through "EH-140"



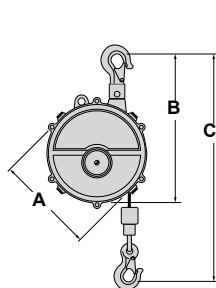
EH-02



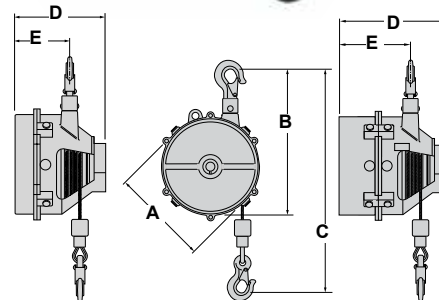
EH-03/EH-05



EH-09/EH-70



EH-85



EH-100/EH-140

Selection Chart			
For Tool Weighing*	Cable Travel	Shipping Weight	Model Number
1.1 - 4.4 lbs.	3.3 ft.	2.2 lbs.	EH-02
2.2 - 6.6 lbs.	4.3 ft.	2.8 lbs.	EH-03
5.5 - 11 lbs.	4.3 ft.	3.3 lbs.	EH-05
9 - 20 lbs.	3.9 ft.	13.4 lbs.	EH-09
20 - 33 lbs.	3.9 ft.	13.4 lbs.	EH-15
33 - 48 lbs.	4.5 ft.	22.6 lbs.	EH-22
48 - 66 lbs.	4.5 ft.	22.6 lbs.	EH-30
66 - 88 lbs.	4.5 ft.	27.0 lbs.	EH-40
88 - 110 lbs.	4.5 ft.	27.0 lbs.	EH-50
110 - 132 lbs.	4.5 ft.	31.4 lbs.	EH-60
132 - 154 lbs.	4.5 ft.	31.4 lbs.	EH-70
154 - 187 lbs.	4.5 ft.	58.4 lbs.	EH-85
187 - 220 lbs.	4.5 ft.	56.0 lbs.	EH-100
220 - 264 lbs.	4.5 ft.	60.0 lbs.	EH-120
264 - 308 lbs.	4.5 ft.	61.0 lbs.	EH-140

* Tool weight includes hose or cord and other attachments which must be supported by balancer.

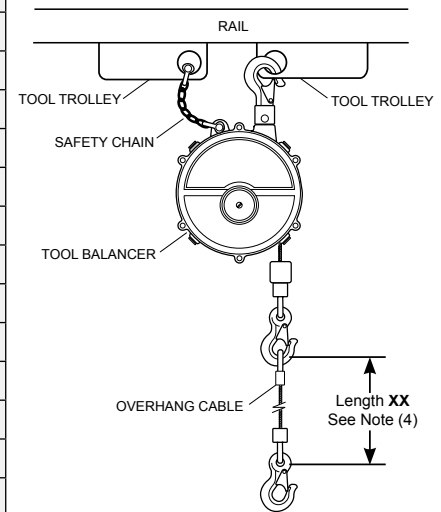
Dimensional Chart					
Model	A	B	C**	D	E
EH-02	5.00 in.	7.25 in.	11.25 in. min.	1.81 in	0.81 in
EH-03/EH-05	5.83 in.	8.25 in	12.50 in. min.	2.72 in.	1.44 in
EH-09/EH-15	7.00 in.	10.00 in.	13.00 in. min.	5.50 in.	2.88 in
EH-22/EH-70	8.60 in.	12.60 in.	17.00 in. min.	6.40 in.	3.19 in.
EH-85	9.50 in.	14.00 in.	20.00 in. min	9.75 in.	5.38 in
EH-100/EH-140	9.50 in.	14.00 in.	21.00 in. min	9.75 in.	5.38 in

** Minimum height fully retracted, inside of hook to inside of hook.

Safety Chain (recommended)		
Description	Shipping Weight	Model Number
2.0 ft. Steel Link Chain w/ Clevises	1.5 lbs.	SC-EH2
3.0 ft. Steel Link Chain w/ Clevises	2.0 lbs.	SC-EH3

ACCESSORIES for EH TOOL BALANCERS

Series EH Tool Balancer Accessories					
Balancer Model No.	Capacity		Safety Chain	Overhang Cable (4)	Tool Trolley
	Lbs.	(Kg)			
EH-02 (1)	1.1 - 4.4	(0.5 - 2.0)	NONE	OC-XX	WS30-BTL (6)
EH-03 (1)	2.2 - 6.6	(1.0 - 3.0)	SC-EG3	OC-XX	WS30-BTL (6)
EH-05 (1)	5.5 - 11	(2.5 - 5.0)	SC-EG3	OC-XX	WS30-BTL (6)
EH-09 (1)	9 - 20	(4.1 - 9.1)	SC-EG3	OC-XX (5)	WS50-BTL
EH-15 (2)	20 - 33	(9.1 - 15)	SC-EG3	OC-XX (5)	WS50-BTL
EH-22 (2)	33 - 48	(15 - 21.8)	SC-EG3	OC5ME-XX	WS50-BTL
EH-30 (2)	48 - 66	(21.8 - 30.0)	SC-EG3	OC5ME-XX	WS60-BT
EH-40 (2)	66 - 88	(30.0 - 40.0)	SC-EH3	OC5ME-XX	WS60-BT
EH-50 (2)	88 - 110	(40.0 - 50.0)	SC-EH3	OC5ME-XX	WS60-BT
EH-60 (2)	110 - 132	(50.0 - 60.0)	SC-EH3	OC5ME-XX	WS60-BT
EH-70 (2)	132 - 154	(60.0 - 70.0)	SC-EH3	OC5ME-XX	WS60-BT
EH-85 (2)	154 - 187	(70.0 - 85.0)	SC-EH3	OC8ME-XX	WS60-BT
EH-100 (3)	187 - 220	(85.0 - 100.0)	SC-EH3	OC8ME-XX	W6S-BT
EH-120 (3)	220 - 264	(100.0 - 120.0)	SC-EH3	OC8ME-XX	W6S-BT
EH-140 (3)	264 - 308	(120.0 - 140.0)	SC-EH3	OC8ME-XX	W6S-BT



- (1) Balancer hook will fit WS30-BT or WS50-BTL Tool Trolley.
- (2) Balancer hook will fit either WS50-BTL, WS60-B or W6S-BT Tool Trolley.
- (3) Balancer hook will fit only W6S-B Tool Trolley.
- (4) "XX" = Length req'd. When ordering indicate, -03 = 3 ft., -05 = 5 ft. or -10 = 10 ft.
- (5) Use with EH-09 or EH-15 requires one additional ESTC-01 Safety Clip.
- (6) WS50-BTL may also be used with EH-02, EH-03 and EH-05.

REPAIR PARTS for EH TOOL BALANCERS

EH-09 - 70 BALANCERS	
MODEL #	DESCRIPTION
EH09-SPG	SPRING FOR EH-09
EH15-SPG	SPRING FOR EH-15
EH22-SPG	SPRING FOR EH-22
EH30-SPG	SPRING FOR EH-30
EH40-SPG	SPRING FOR EH-40
EH50-SPG	SPRING FOR EH-50
EH60-SPG	SPRING FOR EH-60
EH70-SPG	SPRING FOR EH-70
EH915-CBL	CABLE FOR EH-09 & EH-15
EH2270-CBL	CABLE FOR EH-22 THRU EH-70
EH915-DRM	DRUM FOR EH-09 & EH-15
EH2270-DRM	DRUM FOR EH-22THRU EH-70

EH-02 - 05 BALANCERS	
MODEL #	DESCRIPTION
EH02-SPG	SPRING W/DRUM FOR EH-02
EH03-SPG	SPRING W/DRUM FOR EH-03
EH05-SPG	SPRING W/DRUM FOR EH-05
EH02-CBL	CABLE FOR EH-02
EH03-CBL	CABLE FOR EH-03
EH05-CBL	CABLE FOR EH-05

EH-85 - 140 BALANCERS	
MODEL #	DESCRIPTION
EH85-SPG	SPRING FOR EH-85
EH100-SPG	SPRING FOR EH-100
EH120-SPG	SPRING FOR EH-120
EH140-SPG	SPRING FOR EH-140
EH85140-DRM	DRUM W/CABLE FOR EH-85 THRU EH-140

