

NEMA TYPE 4X JIC

JN4XSS Series

Lift-Off Clamped Cover Enclosures

Adalet's JN4XSS series wall-mounted JIC enclosures are designed to provide protection, indoors and outdoors, against dust, dirt, oil and water for items such as pneumatic or hydraulic instruments, transformers, and junction wiring. These enclosures are suitable for use in areas such as petrochemical plants, dairies, breweries, food processing areas and similar environments where they are subject to frequent high pressure hosing and generally wet conditions. They are also designed for use in areas where severe corrosion problems exist. Type 316L stainless steel enclosures are also suitable for use in offshore applications.

STANDARD FEATURES

- Wall mounting flange / feet
- Watertight urethane gasket
- Stainless steel clamps and screws
- Four #10-32 weld nuts for optional mounting panel
- Grounding studs on inside of box and cover

DESIGN OPTIONS

- Painted steel and stainless steel mounting panels
- Laser cut entries or cut-outs
- Terminal blocks or other component assembly
- Swing panel / dead front panel
- Padlock provisions
- Quick release latches
- Epoxy paint or powder coating
- Custom sizes
- 12 gauge material thickness

MATERIAL

- 12 and 14 gauge / Type 304 or 316L stainless steel
- Stainless steel hardware
- #3 / #4 brushed finish



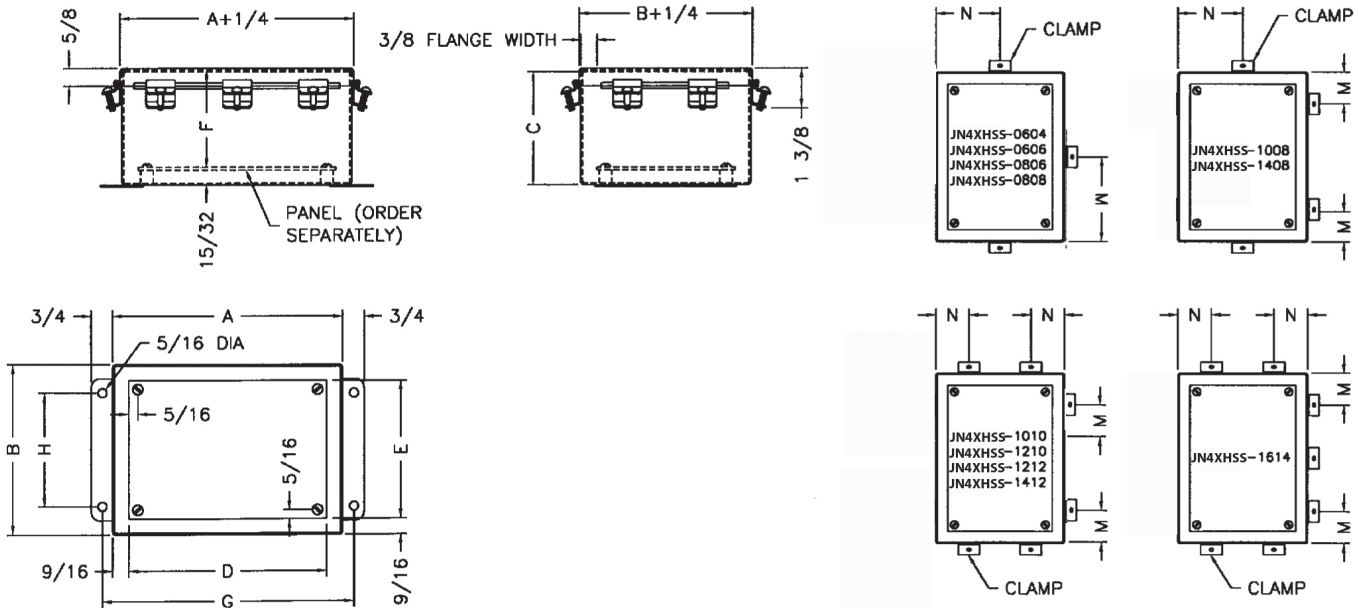
CERTIFICATIONS

NEMA Type 3, 3R, 4, 4X, 12 & 13
UL50
cULus Listed



NEMA TYPE 4X JIC

STAINLESS STEEL ENCLOSURES



STAINLESS STEEL 304 or 316L

JN4X-JIC Wallmount, Single Door Enclosure - Continuous Hinge / Clamped Cover / Mounting Tabs

| CAT. NUMBER | GAUGE | OUTSIDE DIM. | | | MOUNTING | | CLAMPS | | CLAMP QTY | SHIPPING WT. (LBS) | PANEL PART NO. | PANEL DIMENSIONS | | |
|---------------|-------|--------------|----|----|----------|-------|--------|------|-----------|--------------------|----------------|------------------|-------|------|
| | | A | B | C | G | H | M | N | | | | D | E | F |
| JN4XSS-060403 | 16 | 6 | 4 | 3 | 6.75 | 2.00 | 3.00 | 2.00 | 3 | 3.2 | 06P04 | 4.88 | 2.88 | 2.55 |
| JN4XSS-060404 | 16 | 6 | 4 | 4 | 6.75 | 2.00 | 3.00 | 2.00 | 3 | 3.5 | 06P04 | 6.88 | 4.88 | 3.55 |
| JN4XSS-060604 | 16 | 6 | 6 | 4 | 6.75 | 4.00 | 3.00 | 3.00 | 3 | 4.5 | 06P06 | 4.88 | 2.88 | 3.55 |
| JN4XSS-080604 | 14 | 8 | 6 | 4 | 8.75 | 4.00 | 4.00 | 3.00 | 3 | 5.3 | 08P06 | 4.88 | 4.88 | 3.55 |
| JN4XSS-080804 | 14 | 8 | 8 | 4 | 8.75 | 6.00 | 4.00 | 4.00 | 3 | 6.2 | 08P08 | 6.88 | 6.88 | 3.55 |
| JN4XSS-100804 | 14 | 10 | 8 | 4 | 10.75 | 6.00 | 1.63 | 4.00 | 4 | 8.7 | 10P08 | 6.88 | 6.88 | 3.55 |
| JN4XSS-121005 | 14 | 12 | 10 | 5 | 12.75 | 8.00 | 3.63 | 2.63 | 6 | 13 | 12P10 | 8.88 | 6.88 | 4.55 |
| JN4XSS-080606 | 14 | 8 | 6 | 6 | 8.75 | 4.00 | 4.00 | 3.00 | 3 | 6.2 | 08P06 | 10.88 | 8.88 | 5.55 |
| JN4XSS-080806 | 14 | 8 | 8 | 6 | 8.75 | 6.00 | 4.00 | 4.00 | 3 | 20 | 08P08 | 6.88 | 6.88 | 5.55 |
| JN4XSS-100806 | 14 | 10 | 8 | 6 | 10.75 | 6.00 | 1.63 | 4.00 | 4 | 11.2 | 10P08 | 8.88 | 6.88 | 5.55 |
| JN4XSS-101006 | 14 | 10 | 10 | 6 | 10.75 | 8.00 | 1.63 | 2.63 | 6 | 13.5 | 10P10 | 8.88 | 8.88 | 5.55 |
| JN4XSS-121006 | 14 | 12 | 10 | 6 | 12.75 | 8.00 | 3.63 | 2.63 | 6 | 15 | 12P10 | 10.88 | 8.88 | 5.55 |
| JN4XSS-121206 | 14 | 12 | 12 | 6 | 12.75 | 10.00 | 3.63 | 3.00 | 6 | 17.5 | 12P12 | 10.88 | 10.88 | 5.55 |
| JN4XSS-140806 | 14 | 14 | 8 | 6 | 14.75 | 6.00 | 3.63 | 4.00 | 4 | 17.7 | 14P08 | 12.88 | 6.88 | 5.55 |
| JN4XSS-141206 | 14 | 14 | 12 | 6 | 14.75 | 10.00 | 3.63 | 3.00 | 6 | 18.1 | 14P12 | 12.88 | 10.88 | 5.55 |
| JN4XSS-161406 | 14 | 16 | 14 | 6 | 16.75 | 12.00 | 1.63 | 4.13 | 7 | 22.1 | 16P14 | 14.88 | 12.88 | 5.55 |
| JN4XSS-121008 | 14 | 12 | 10 | 8 | 12.75 | 8.00 | 3.63 | 2.63 | 6 | 21.8 | 12P10 | 10.88 | 8.88 | 7.55 |
| JN4XSS-141208 | 14 | 14 | 12 | 8 | 14.75 | 10.00 | 3.63 | 4.13 | 6 | 19.1 | 14P12 | 12.88 | 10.88 | 7.55 |
| JN4XSS-161408 | 14 | 16 | 14 | 8 | 16.75 | 12.00 | 1.63 | 4.13 | 7 | 26.7 | 16P14 | 14.88 | 12.88 | 7.55 |
| JN4XSS-161410 | 14 | 16 | 14 | 10 | 16.75 | 12.00 | 1.63 | 4.13 | 7 | 27.1 | 16P14 | 14.88 | 12.88 | 9.55 |
| JN4XSS-202010 | 14 | 20 | 20 | 10 | 20.75 | 18.00 | 3.63 | 3.63 | 9 | 48 | 20P20 | 18.88 | 18.88 | 9.55 |

NOTE For Type 316L stainless steel enclosures, add 6 after SS. (i.e. JN4XHSS6)

Measurements in inches

* All JN4XHSS6 316L boxes and covers are 14 gauge