

Emperor Data Sheet (Single)

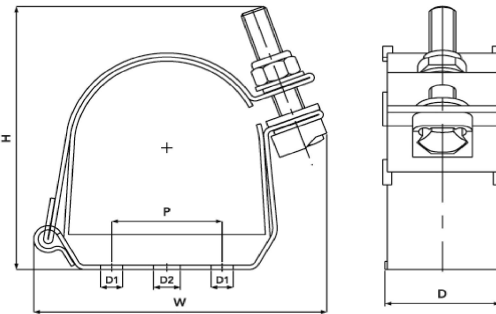
UK Patent GB 233 9237

Emperor Cable Cleats are available for trefoil and single cable applications where the highest levels of short circuit withstand are required. The unique patented design allows rapid installation. The frame, manufactured from 316L stainless steel, offers the ultimate protection against the harshest environmental conditions. The frame is tightened and locked using a combination of M12 Set Screw, Nyloc Nut and washer in A4 Stainless Steel, Screw head Retainer in 'Zero-Halogen, Low Smoke & Fume' (LSF) Nylon (MDS02 Data Sheet)* and Emperor LSF Polymeric Washer (MDS01 Data Sheet)*. To protect and cushion the cables during short circuit conditions, the cleat is supplied with an integral LSF Polymeric liner and base pads (MDS01 Data Sheet)*.

Recommended fixing methods include using either two 10mm bolts or a single 12mm bolt (available as extras), although other bolt sizes can be accommodated.

* Material Data Sheets MDS01 & MDS02 are available upon request.

Emperor Cable Cleat (Single)



Selection table for Single Cable Application.

Part No.	Cable Range		Dimensions				Fixing Holes	Weight g
	Min Dia mm	Max Dia. mm	W mm	H mm	D mm	P mm		
ES32-39	32	39	91	89	54	25	2 x M10 + 1 x M12	450
ES37-45	37	45	96	93	54	25	2 x M10 + 1 x M12	470
ES44-52	44	52	99	98	54	25	2 x M10 + 1 x M12	480
ES51-59	51	59	103	102	54	25	2 x M10 + 1 x M12	490
ES58-66	58	66	109	101	54	25	2 x M10 + 1 x M12	500
ES65-73	65	73	111	103	54	25	2 x M10 + 1 x M12	510
ES73-85	73	85	135	112	54	50	2 x M10 + 1 x M12	640
ES84-94	84	94	135	135	54	50	2 x M10 + 1 x M12	660
ES94-118	94	118	160	150	54	50	2 x M10 + 1 x M12	710
ES118-130	118	130	175	160	54	75	2 x M10 + 1 x M12	900
ES127-150	127	150	180	180	54	75	2 x M10 + 1 x M12	940

Issue 13 07/06/2017 Page 1 of 2

Testing Information

Emperor Cleats have been tested in line with the International Standard of 'Cable Cleats for Electrical Installations' IEC 61914:2009. Typical results are detailed below:

Properties	IEC 61914:2009 Classification Clause	Units / Classification	Emperor Single Cable Application Test Data
Cleat Type	6.1, 6.1.3	Composite	-
Impact Resistance	6.3, 6.3.5, 9.2	Very Heavy Classification (5kg @ 400mm)	Pass
Resistance to Electromechanical Force	6.4	Refer to Ellis Patents for further details	Refer to Ellis Patents for further details
Temperature for Permanent Application	6.2	°C	-40 to 60
Needle Flame Test	10.0, 10.1	Application Time (seconds)	>120
Lateral Load Test	9.3	Newtons (N)	14500
Axial Movement Test	9.4	Newtons (N)	650



American Bureau of Shipping Type Approval

Emperor Cable Cleats are compliant with the requirements of London Underground Standard 1-085. Product Register No. 362